



Flying Tickets

FT-65-1001



ADRENALINE
agames.com

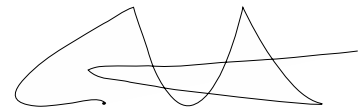
Operation & Service Manual

Version 1.0

*** Read this manual before use**

General Remark

If you encounter any difficulties or if you need support on how to update and/ or install your Flying Tickets product, we invite you to contact your local distributor or reach us at support@aagames.com or by calling our support line +1-450-824-1671



Adrenaline Amusements Team

Adrenaline Amusements
1150 Levis, Suite 302
Terrebonne, Qc
Canada
J6W 5S6

Table of Contents

Contents

General Remark	2
Table of Contents	3
Chapter 01 - Preface	5
Precaution for Game Operation.....	5
Safety.....	6
Environmental Conditions.....	6
Chapter 02 - Game Features	7
How to Play	7
Chapter 3 – Unit Features	8
Hardware Features.....	8
Cabinet Facts.....	8
Voltage	8
Chapter 04 - Unit & Headers Installation	9
Assembling your Flying Tickets Unit.....	9
Headers Installation	11
Chapter 05 – Operator Menu	13
Operator Menu	13
Chapter 06 - Service & Repair	15
Computer Connections	15
Troubleshooting	16
Video Troubleshooting.....	16
Audio Troubleshooting	17
Chapter 07 - Parts	18
Cabinet Parts	18
Cash Box Parts	19

Decal Prints.....	20
Header Parts.....	21
I/O board INV-04-1200-FT	22
Cabling.....	23
Wiring Harness	23
Misc. Parts	23
Chapter 08 – Diagrams & Schematics	24
IO Board Wiring Diagram	25
LED Controller Wiring Diagram	26
Chapter 09 – Software Recovery	27
Chapter 10 – Card Reader	28

Chapter 01 - Preface

Please read this page before preparing your Flying Tickets product for game play.

The following safety instructions apply to all game operators and service personnel. Specific warnings and cautions will be included throughout this manual.

Use the following safety guidelines to help protect the system from potential damage and to ensure your personal safety:

- Electronic components in the game cabinet run on 110V AC 60Hz (220V/ 50Hz in most of Europe, the Middle East and the Far East delivered units).
- To help prevent electric shock, plug the system into a properly grounded power source. These cables are equipped with 3-prong plugs to help ensure proper grounding. Do not use adapter plugs or remove the grounding prong from a cable. If you must use an extension cable, use a 3-wire cable with properly grounded plugs.
- To help protect your system from sudden increases and decreases in electrical power, use a surge suppressor, line conditioner or Uninterruptible Power Supply (UPS).
- Be sure nothing rests on the system's cables and that the cables are not located where they can be stepped on or tripped over.
- Keep your system far away from radiators and other heat sources.
- Do not block cooling vents.

Precaution for Game Operation

Adrenaline Amusements Inc. assumes no liability for injuries incurred while playing our games.

Operators should be aware that certain health and physical conditions may make people susceptible to injury when playing video games.

Safety



To avoid electrical shock, unplug the cabinet before performing installation or service procedures.

If a power cord is damaged, it must be replaced by the equivalent power cord available from your distributor.



Adrenaline Amusement Inc. assumes no liability for any damages or injuries incurred while setting up or servicing the cabinet. Only qualified service personnel should perform installation or service procedures.

Environmental Conditions

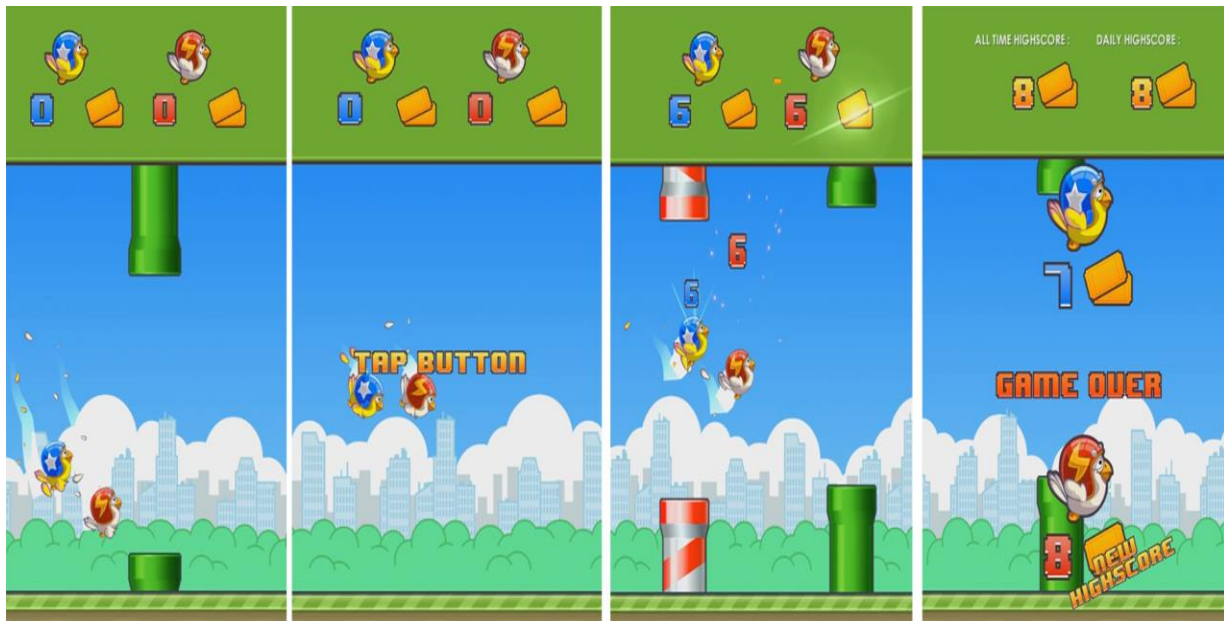
Cabinet is intended for indoor use only. Be sure to keep the cabinet dry and maintain operating temperatures of 59° - 86° (15° - 30°C).

Chapter 02 - Game Features

Win a lot of tickets!

How to Play

- Tap the button to “flap” your bird through the pipes.
- The green pipes worth 1 ticket, the red/white pipes worth 5 tickets.
- 100% Skill game.
- Challenge your friends; 2 player game play.
- Skill Bonus; beat the target score and win a bonus of 100 to 1000 tickets

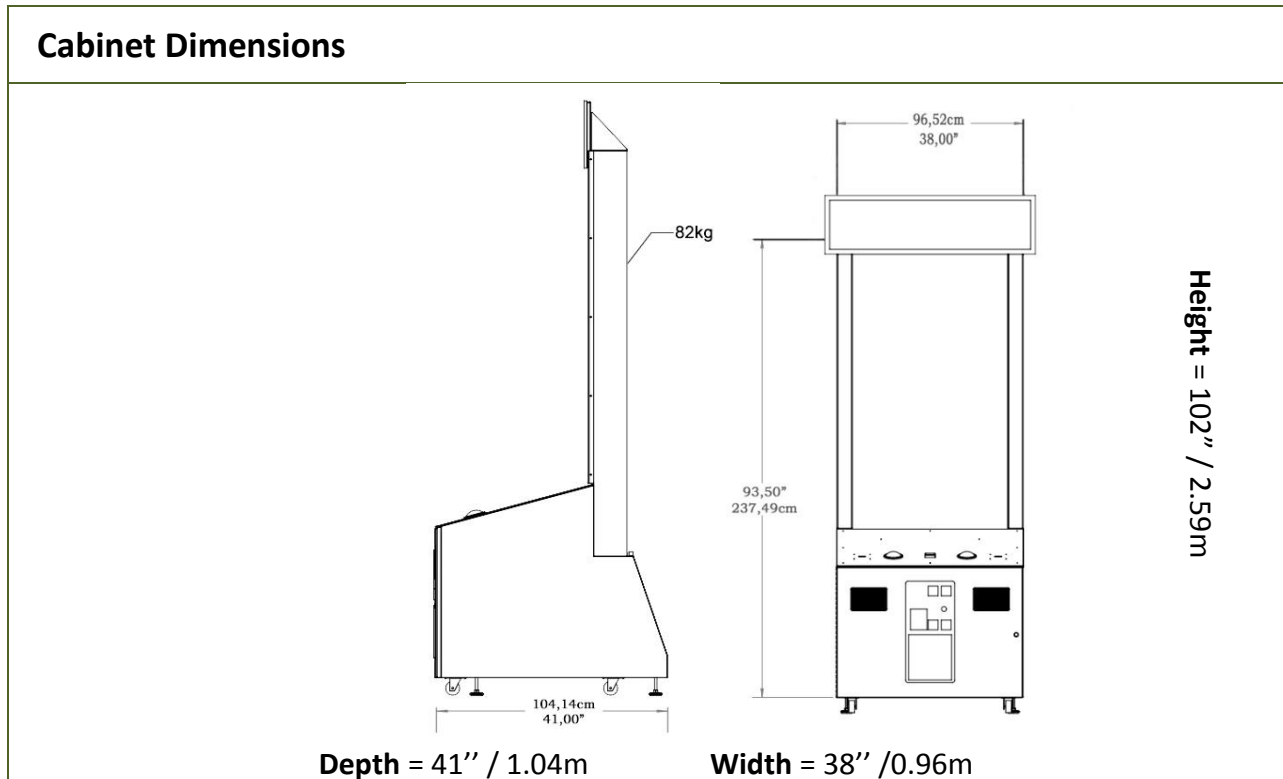


Chapter 3 – Unit Features

Hardware Features

- Giant 65" Monitor
- 2 Players Game
- Dual Ticket Dispenser

Cabinet Facts



Shipping Dimensions

Width = 45"	Depth = 57"	Height = 85"
Weight = 650lbs		

Voltage

Voltage	Operating
110V AC	4 AMP
220V AC	2 AMP

Chapter 04 - Unit & Headers Installation

Assembling your Flying Tickets Unit

1. Carefully remove the Cabinet from the shipping container, giving you enough space.
2. Move the cabinet to the desired location.

**** For your security, minimum 2 persons are needed to complete the installation ****

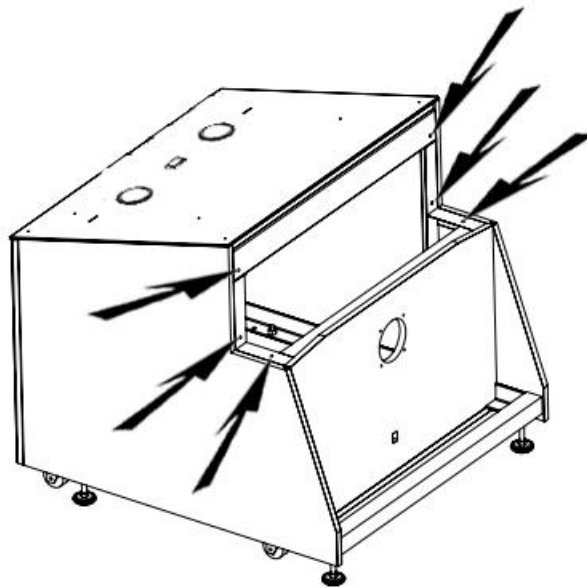


Fig. 1

3. Before installing the monitor, locate the 6 bolt holes as seen on figure 1.

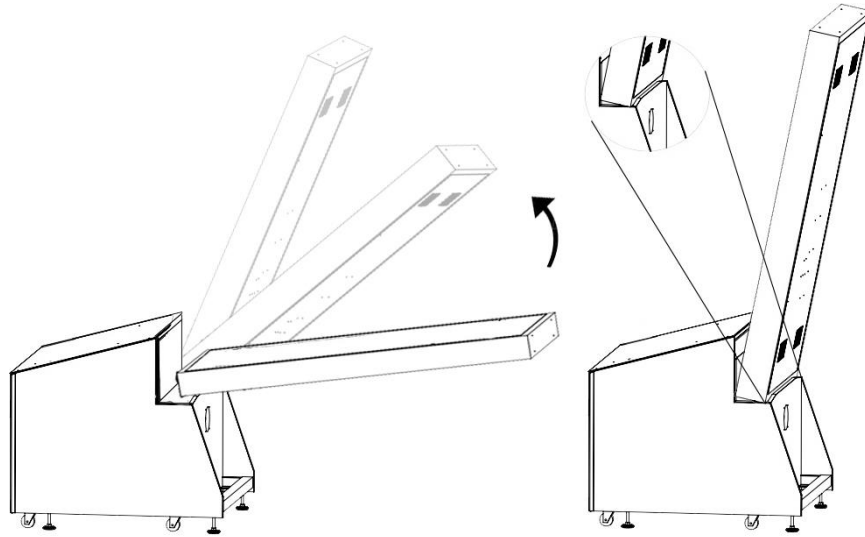


Fig. 2

4. Place the bottom back of the TV over the security support before lifting it vertically.

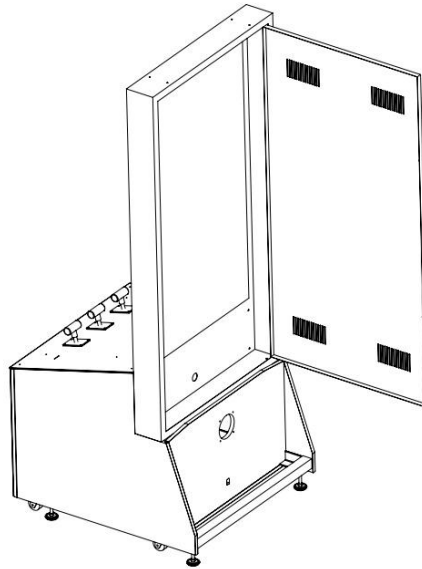


Fig. 3

5. Affix the 6 bolts and tighten them.

Headers Installation

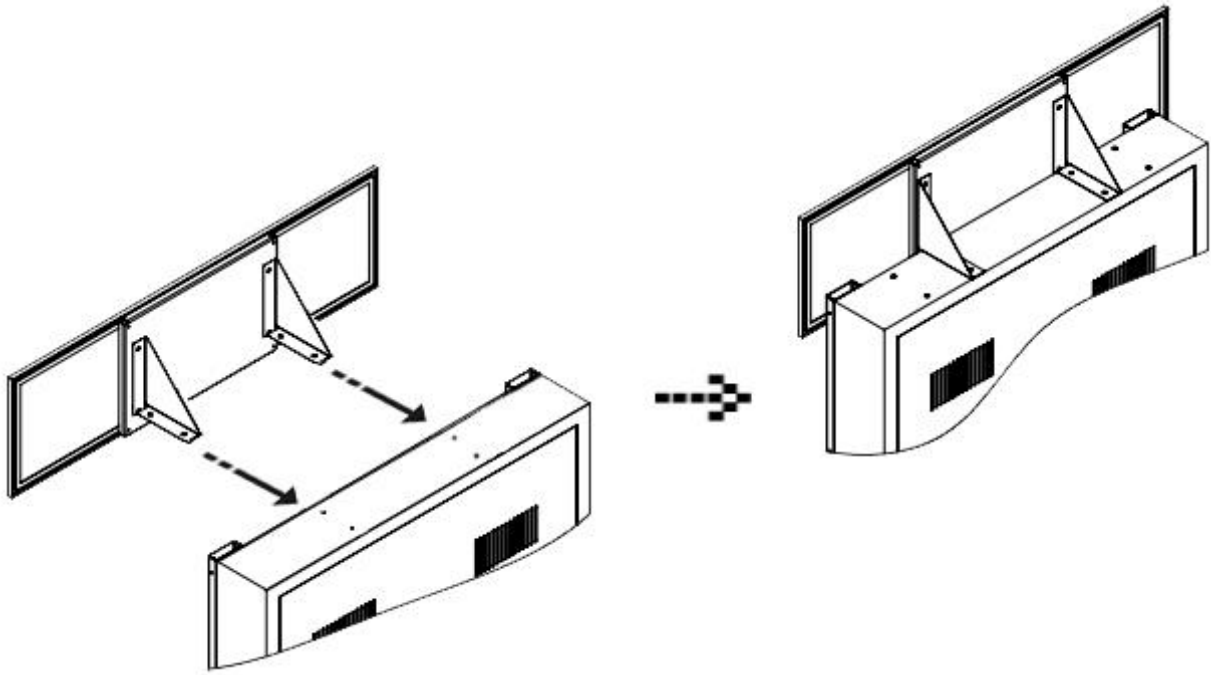


Fig. 4

-Using a ladder, fix the header to the monitor using the 4 bolts. The header will be slightly in front of the LED strips.

-Connect the barrel connector.

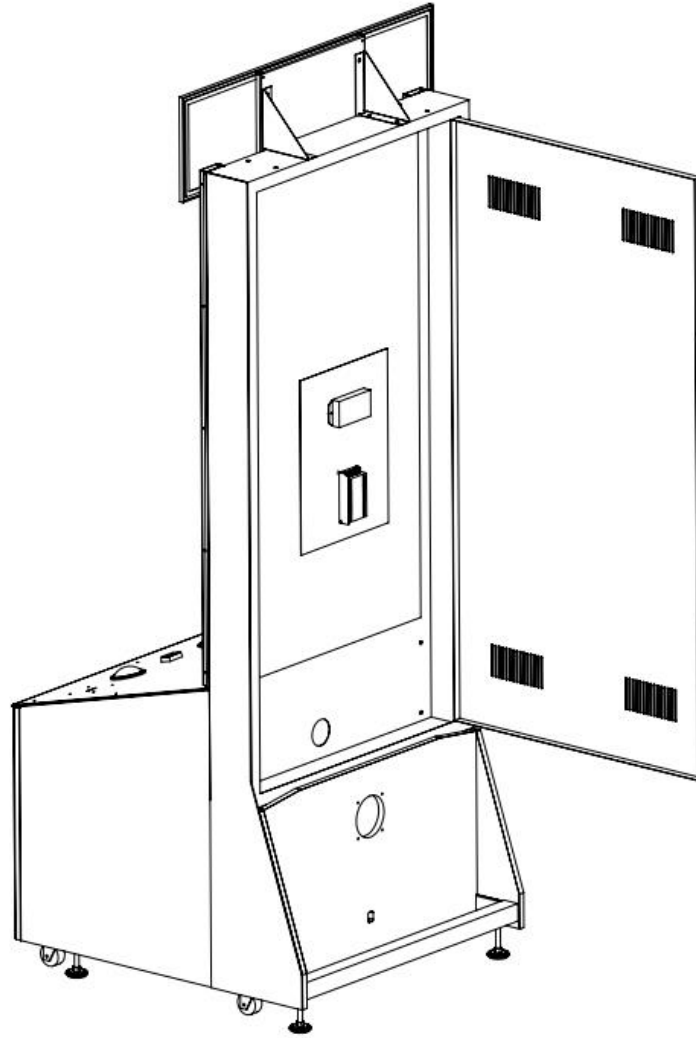


Fig. 5

- Run the monitor DVI cable and the AC cable through the bottom hole.
- Connect the DVI monitor cable to the computer inside the cabinet.
- Connect the AC power cable to the Surge Protection Power Bar.

Chapter 05 – Operator Menu

Operator Menu

Access the Operator Menu by pressing the switch button located inside the top coin door.

Player 1 Button: *Scroll Up/Increase Value*

Start Button: *Select*

Player 2 Button: *Scroll Down/Decrease Value*



OPERATOR MENU	
CREDITS PER GAME	4
GAME AUDIO VOLUME	20
ATTRACT AUDIO VOLUME	20
TICKET VALUE	1
RED PIPE FREQUENCY	10
PAYMENT TYPE	CREDITS
ACTIVATE BONUS	TRUE
BONUS TICKET VALUE	500
AVERAGE GAMES FOR BONUS	250
STATS	RESUME
EXIT	

Fig. 6

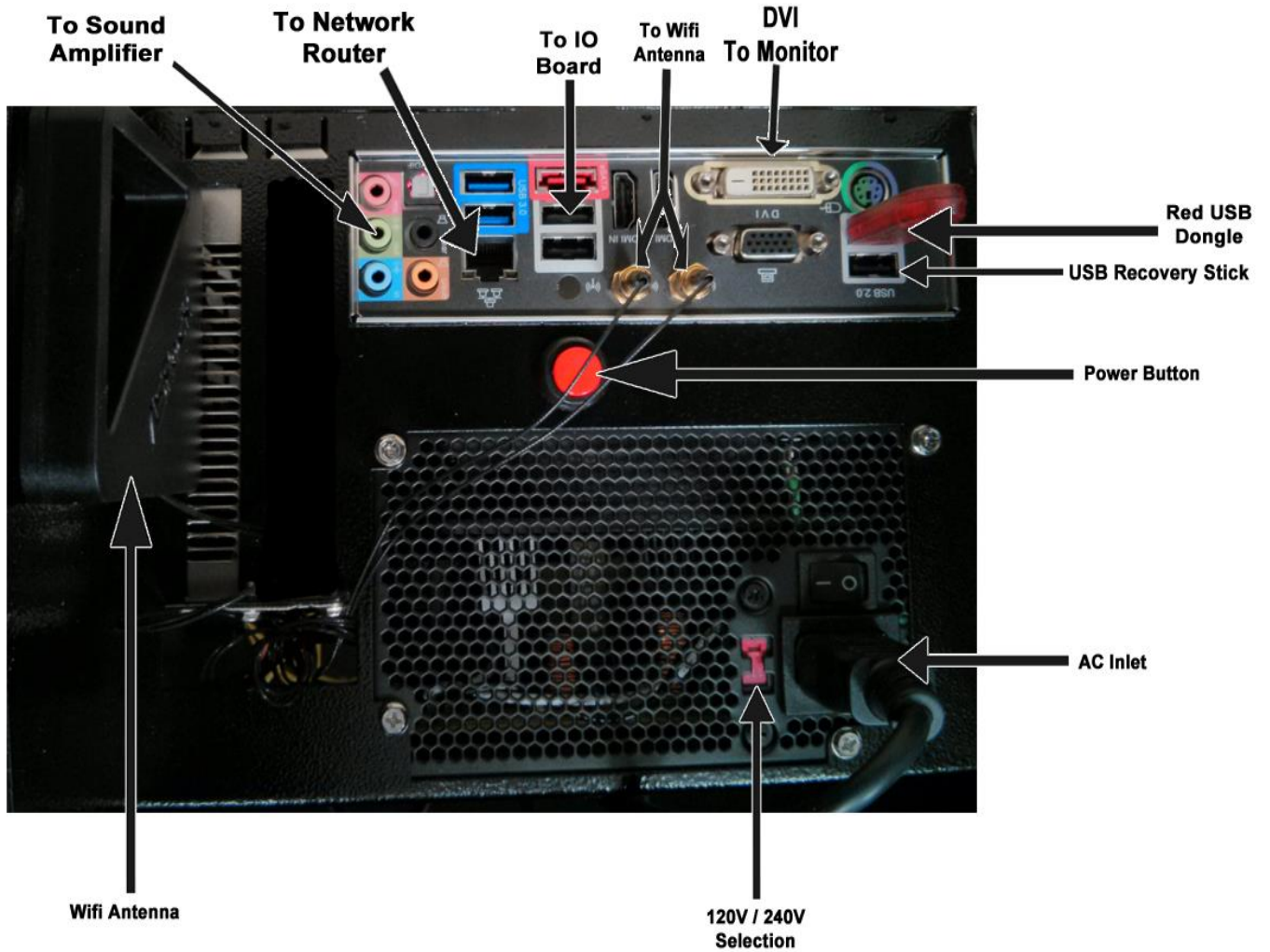
Flying Tickets Manual V1.0
Chapter 04 – Unit & Headers Installation

Operator Menu	Values	What it does
Credits Per Game	0 – 20	Adjusts the number of credits required to play. “0” sets the unit in free play mode.
Game Audio Volume	0 – 20	Adjusts the in-game audio volume. “0” will mute the game.
Attract Audio Volume	0 – 20	Adjusts the audio volume of the attract loop. “0” will mute the attract loop.
TicketValue	1 – 2	Adjusts the value of physical tickets. Physical tickets are either worth “1” ticket or “2” tickets.
Red Pipe Frequency %	1-50	Adjusts the % frequency of Red Pipe (5 Tickets Value)
PaymentType	Credit/Card	Changes the credit type. “Credits” = Coins and “Card” = Card Reader. This will change the in-game text accordingly.
Activate Bonus	False / True	Adjusts the Bonus availability
Bonus Ticket Value	50-1000	Adjusts the number of tickets given when the Bonus is reached
Average games for Bonus	10-1000	Sets how frequently the Bonus will be awarded (Default: 250)

Stats	N/A	Shows the Stats Screen.
Resume	N/A	Exits the Operator Menu and returns to the game.
Quit	N/A	Exits the game and returns to the Windows desktop.

Chapter 06 - Service & Repair

Computer Connections



Troubleshooting

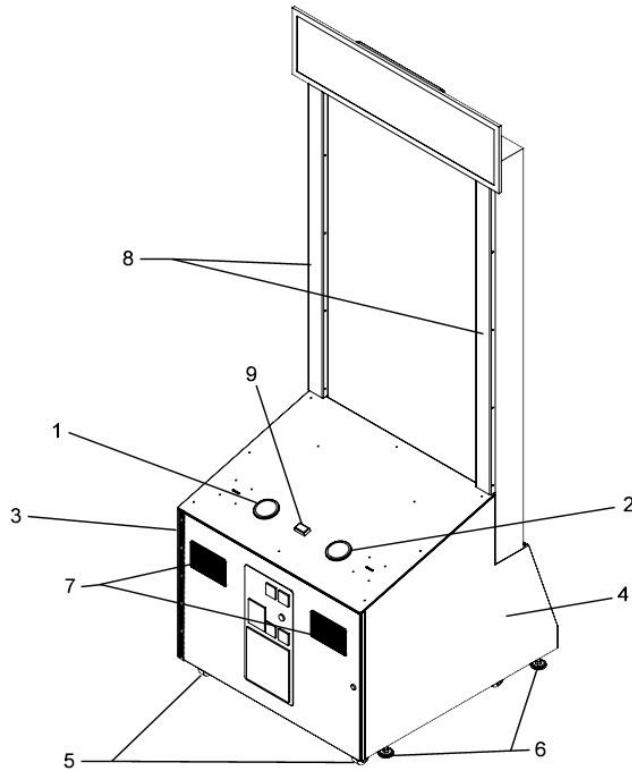
*** NOTE: When requesting a warranty replacement you will be asked to give the unit’s serial number from the back of the unit.**

Video Troubleshooting	
	<p>To change between Portrait and Landscape mode, press ALT-P (Portrait) or ALT-L (Landscape) using a USB keyboard.</p>
	<p>There are loose or faulty connections between the monitor and the computer. Make sure the DVI cable is connected properly to both the computer and to the DVI connector of the LCD monitor.</p>
	<p>No power to computer.</p> <ul style="list-style-type: none">• Verify the computer is ON.• Open the front service door and press the RED or WHITE power button.• Make sure that the power plug is well connected.
No Picture and Sound	<p>The Bios settings have changed, If the computer does not power automatically when the unit is powered on, follow these steps:</p> <ul style="list-style-type: none">• Open the cabinet and plug a USB keyboard in one of the remaining USB ports.• Press and hold the “Delete” key on the keyboard and then turn the computer on. Keep holding the “Delete” key until the Bios screen appears.• Using the arrows, select the “Advanced” tab.• Using the arrows, scroll down to the ACPI Configuration option and press the “Enter” key.• Using the arrows, scroll down to the Restore on AC/Power Loss option and press the “Enter” key.• Using the arrows, select the Power On option and press the “Enter” key.• Press the “F10” key then the “Enter” key to exit the Bios screen.

Audio Troubleshooting	
Low Volume / No Sound	Increase the volume in the game by pressing the Operator Button and adjusting the volume options in the Operator Menu. You might also Quit the game to Windows desktop and increase the volume via the Speaker icon on the bottom right of your screen.
	Verify that the 1/8" plug is plugged in the computer's green sound input jack and that the other end is plugged in the sound amplifier. To verify if it's plugged properly, power up the unit and try touching the plug at the computer's end. If you hear a grounding sound it is connected.
Dongle not found	The USB License Dongle can't be found. Make sure that the USB Dongle is connected to the computer in a black USB port.

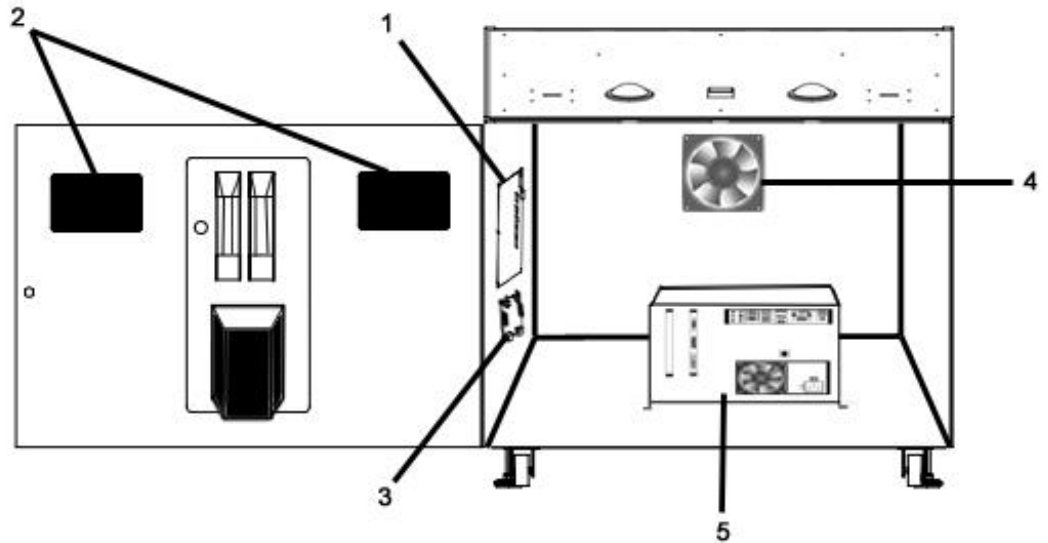
Chapter 07 - Parts

Cabinet Parts



Ref	Part Description	Part #
1	Jumbo Blue Button	ADR-75-4002-12ZL
2	Jumbo Red Button	ADR-75-4002-10ZL
3	Door Hinge 3"	ADR-14-0026
4	Wood Cabinet	MF-02-1021
5	Pivot Wheels	INV-F25083
6	Leg Leveler	INV-62805K39
7	Speakers	ADR-310-030
8	LED Strips	FT-LED-001
9	White Start Button	ADR-D54-0004-51

Cash Box Parts



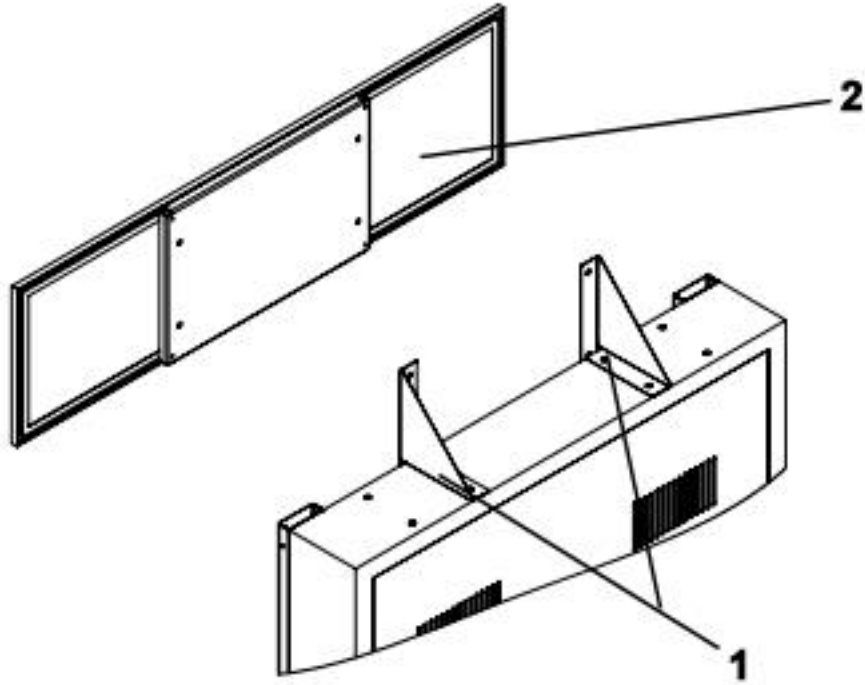
Ref	Part Description	Part Number
1	I/O Board	INV-04-1200-FT
2	Speakers	ADR-310-030
3	Audio Board Amplifier Sure	INV-14-0005
4	120mm Fan	INV-FAN-120
5	Computer	ADR-11-1008-FT

Decal Prints



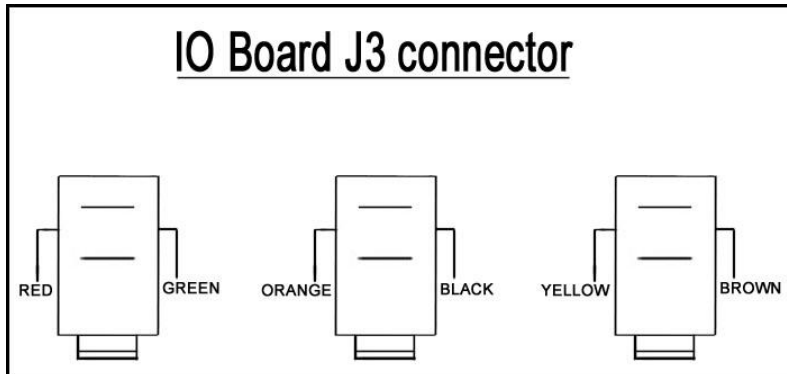
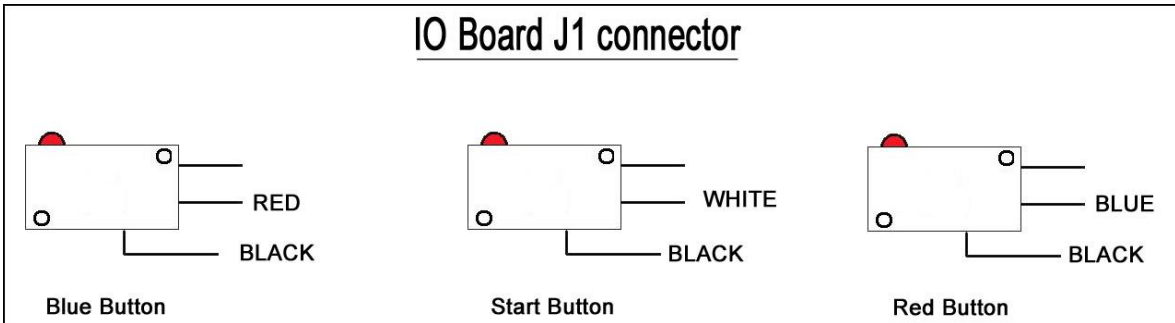
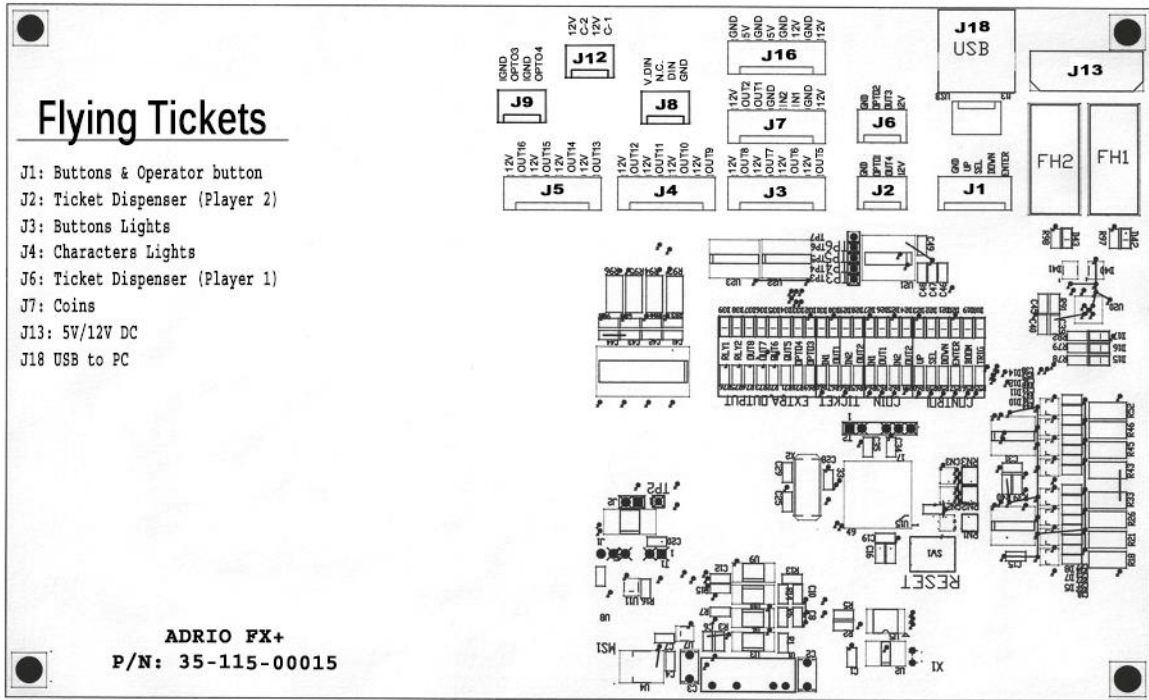
Ref	Part Description	Part Number
1	Header (Decal)	FT-09-1005
2	Left Side Decal	FT-09-1002
3	Front Decal	FT-09-1001
4	Right Side Decal	FT-09-1003
5	Acrylic Top Dash Board	FT-09-1004

Header Parts



Ref	Part Description	Part Number
1	Header Brackets	FT-01-1452
2	Header (LED Panel)	FT-09-1017

I/O board INV-04-1200-FT



Cabling

Part Description	Part Number
10 Feet USB "AB"	ADR-USB-AB1-10B
Connector Y	TF-05-1223

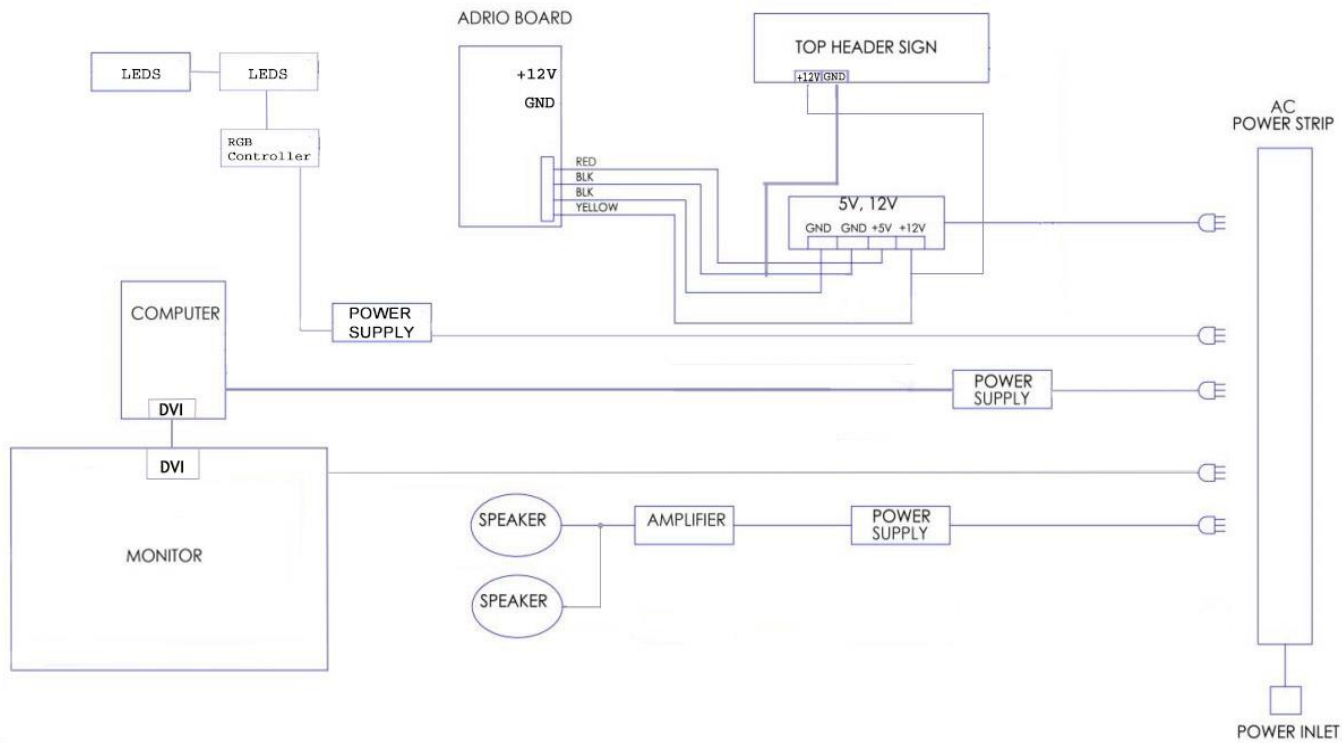
Wiring Harness

Part Description	Part Number
Ticket Cable	TFX-03-4070
Power 5-12 Cabinet	TFX-03-4071
Coin Acceptor	FT-03-4020
Low Ticket	TFX-03-4030
Buttons & Operator	FT-03-4010

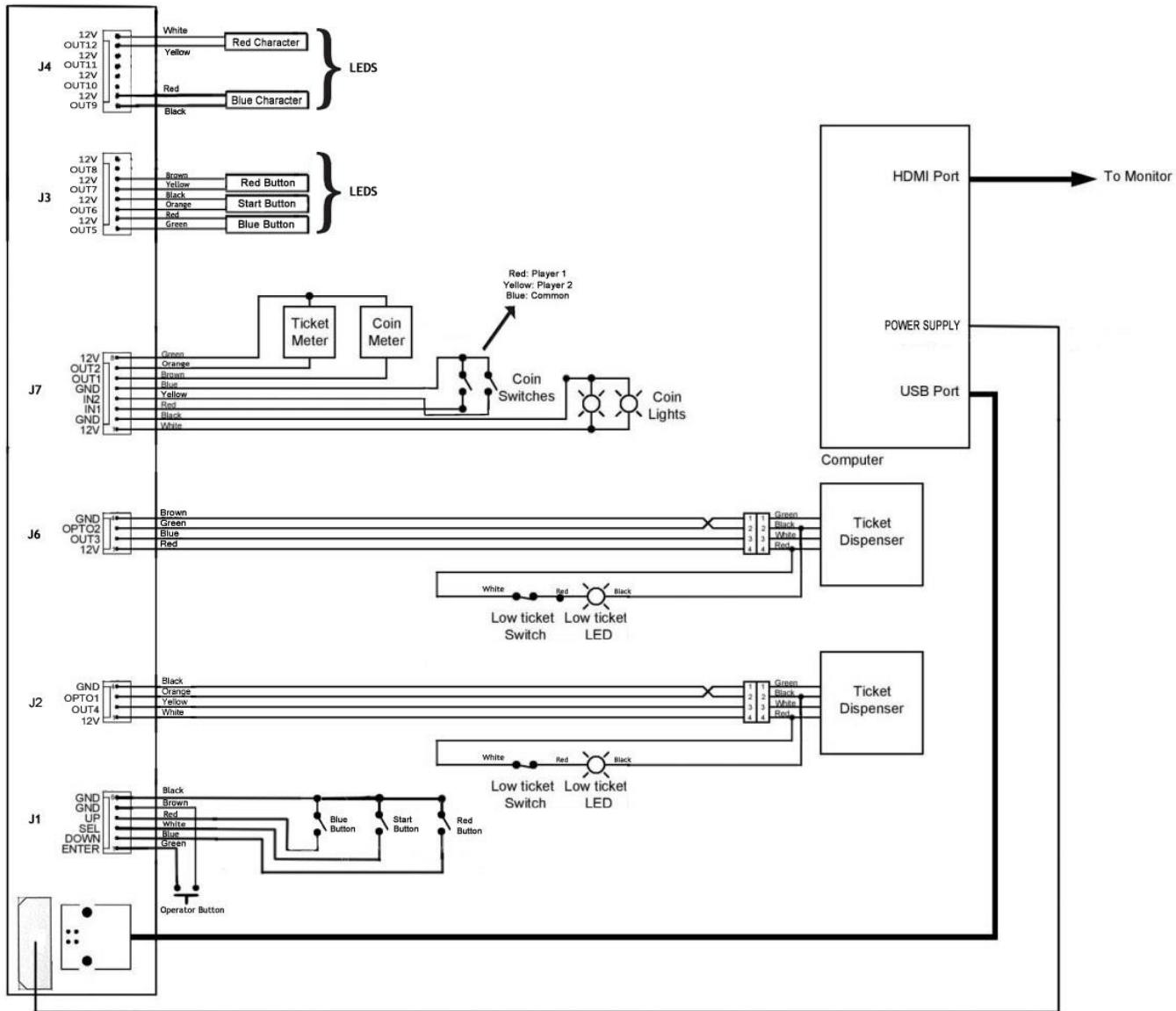
Misc. Parts

Part Description	Part Number
RGB LED Controller	MF-LED-002
5V/12V Power Supply	ADR-80-0210-00

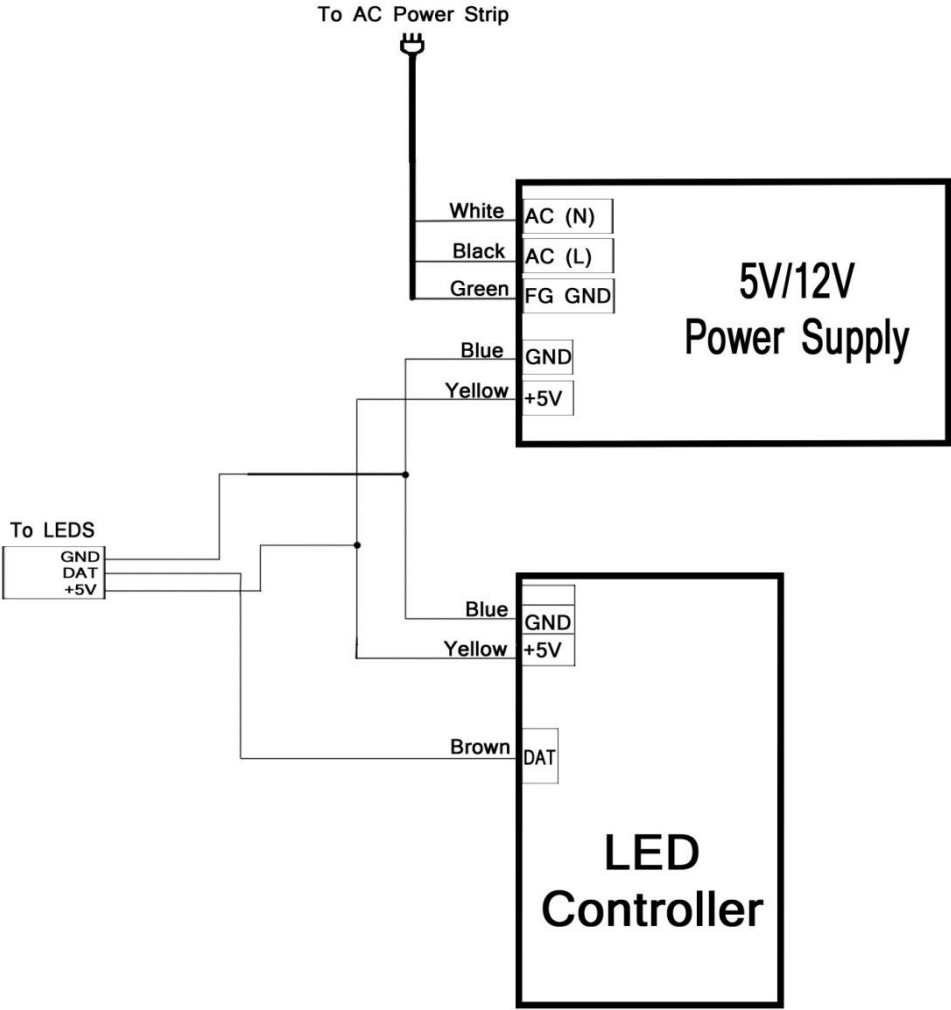
Chapter 08 – Diagrams & Schematics



IO Board Wiring Diagram



LED Controller Wiring Diagram



Chapter 09 – Software Recovery

If your unit software needs to be restored please follow those instructions.

- Connect a USB keyboard to the motherboard.
- Verify that the USB Recovery disk is in a ***Black*** USB port.
- Power on the unit.
- Press F11 on your keyboard when the AsRock splash screen is displayed to enter the boot menu.
- Choose USB: and press Enter.

The process takes 25-30minutes and the unit will reboot back in the game at the end. The Wireless credentials will need to be re-entered and Operator settings will be back at the default ones.

Chapter 10 – Card Reader

If you use a card reader system, it is important to follow those instructions.

You need to install 2 card readers, one for each player. Install them above each ticket doors.

The wires from the IO board connector J7 are those:

